

35-PMP-13  
TREATED WATER HIGH LIFT PUMP 6  
390 kW  
2304-W-E021

35-MV-13  
TREATED WATER HIGH LIFT PUMP 6 OUTLET VALVE  
2304-W-E336

115MCC01 SUPPLY A1  
MAIN INCOMER 1

115MCC01 SUPPLY A2  
MAIN INCOMER 2

115MCC01 SUPPLY A3  
MAIN INCOMER 3

100-M-03 AIR COMPRESSOR

35-PMP-12  
TREATED WATER HIGH LIFT PUMP 5  
390 kW  
2304-W-E020

35-MV-12  
TREATED WATER HIGH LIFT PUMP 5 OUTLET VALVE  
2304-W-E336

**LEGEND:**

- DOL OR DOLR STARTER
- MCCB
- VARIABLE FREQUENCY AC DRIVE
- SOFT STARTER
- LOCATION DESIGNATION PDC

**NOTES:**

1. ALL LOADS < 15kW TO BE FORM 2
2. ALL LOADS > 15kW TO BE FORM 3
3. ACCOMMODATION ALLOWANCE FOR 20% SPARE
4. THIS SITE HAS HIGH VOLTAGE METERING
5. MULTIFUNCTION POWER MONITOR (C/W SERIAL COMMUNICATIONS)

References		Recomm'd	
Project File No.	File name	date	Recomm'd date
2304-W-E000-1	2304-W-E000-1		
By	Checked	Date	Approved
MM	MM		
Drawn	NO	date	date
Recomm'd	Recomm'd	date	date

Approved  
Date: / /

**WAILA WATER TREATMENT PLANT  
ELECTRICAL & CONTROL EQUIPMENT  
115PDC01 SINGLE LINE DIAGRAM SHEET 1 OF 1**



AS BUILT  
Current Electrical 2000 Ltd

2	AS BUILT	MM	MM	01 APR 2011
1	FOR CONSTRUCTION	MM	MM	29 MAY 2010
A	FOR APPROVAL	MM	MM	06 APR 2010
Rev	Reason	By	Chk	Appr. Date

Scales: (A1 original)		Contract No.	
NTS		WSC 23/04	
Location: -		Drawing No.	Rev.
		2304-W-E000	2
Sheet	1	of	1
		Sheet	1
		of	1
		Sheets	

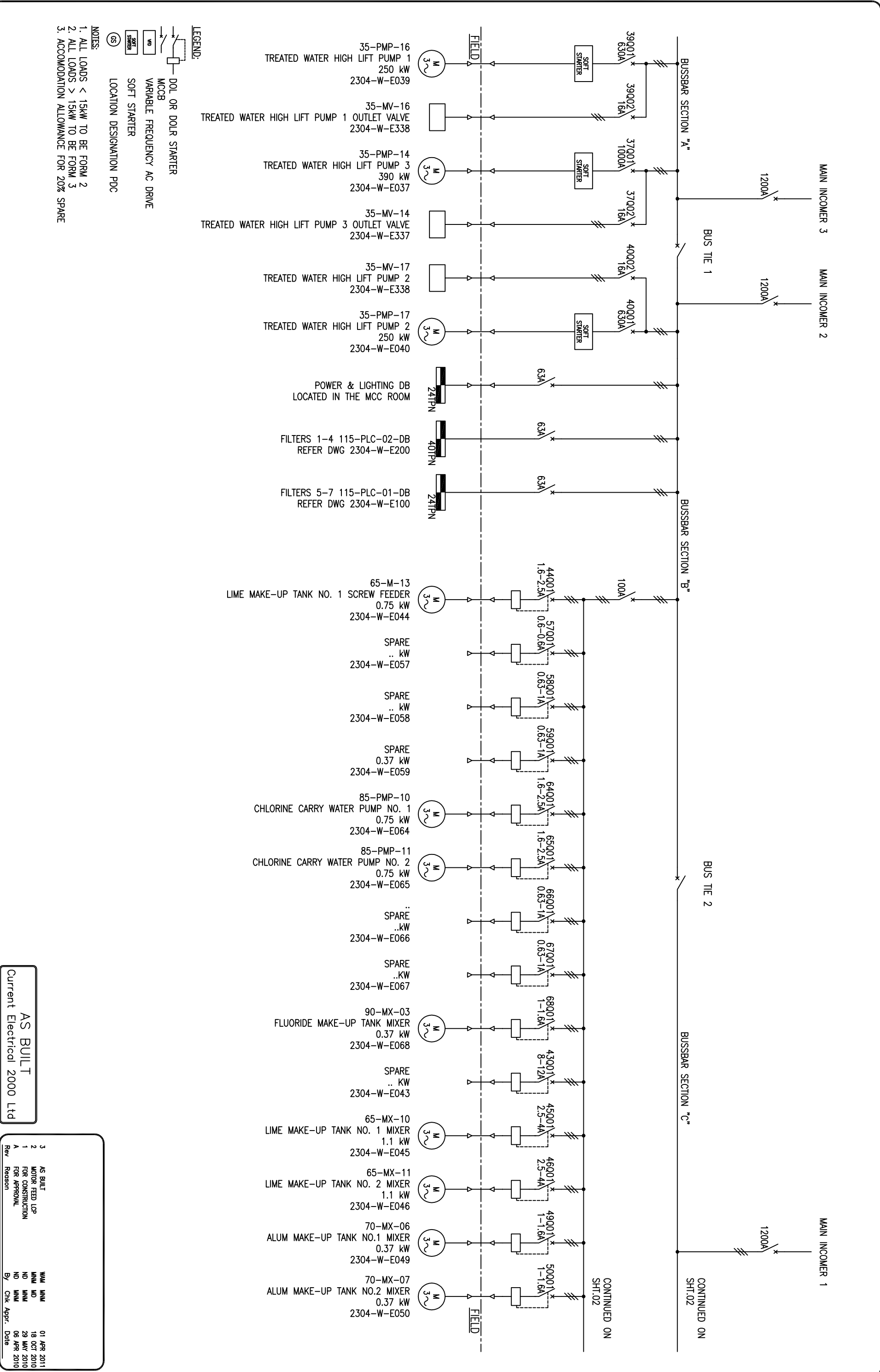
References	
Project File No.	2304-W-E001-1
File name	2304-W-E001-1
By	Checked
Designed/ND	Date
Drawn	Approved
Recomm'd	Date

Approved	
Date:	/ /

**WAILA WATER TREATMENT PLANT  
ELECTRICAL & CONTROL EQUIPMENT  
115MCC02 SINGLE LINE DIAGRAM SHEET 1 OF 3**



Contract No.	
Contract No.	WSC 23/04
Drawing No.	2304-W-E001
Sheet	1 of 3
Rev.	3



**AS BUILT**  
Current Electrical 2000 Ltd

Rev	Reason	By	Chk	Appr.	Date
3	AS BUILT	MM	MM	MM	01 APR 2011
2	MOTOR FEED LOP	MM	MM	MM	18 OCT 2010
1	FOR CONSTRUCTION	MM	MM	MM	29 MAY 2010
A	FOR APPROVAL	MM	MM	MM	06 APR 2010



(NOT PLOTTED)

References	
Project File No.	2304-W-E001-1
File name	2304-W-E001-1
By	Checked
Designed	MM
Drawn	ND
Recomm'd	-

Approved	
Date:	/ /

**WALLA WATER TREATMENT PLANT**  
**ELECTRICAL & CONTROL EQUIPMENT**  
**115MCC02 SINGLE LINE DIAGRAM SHEET 3 OF 3**

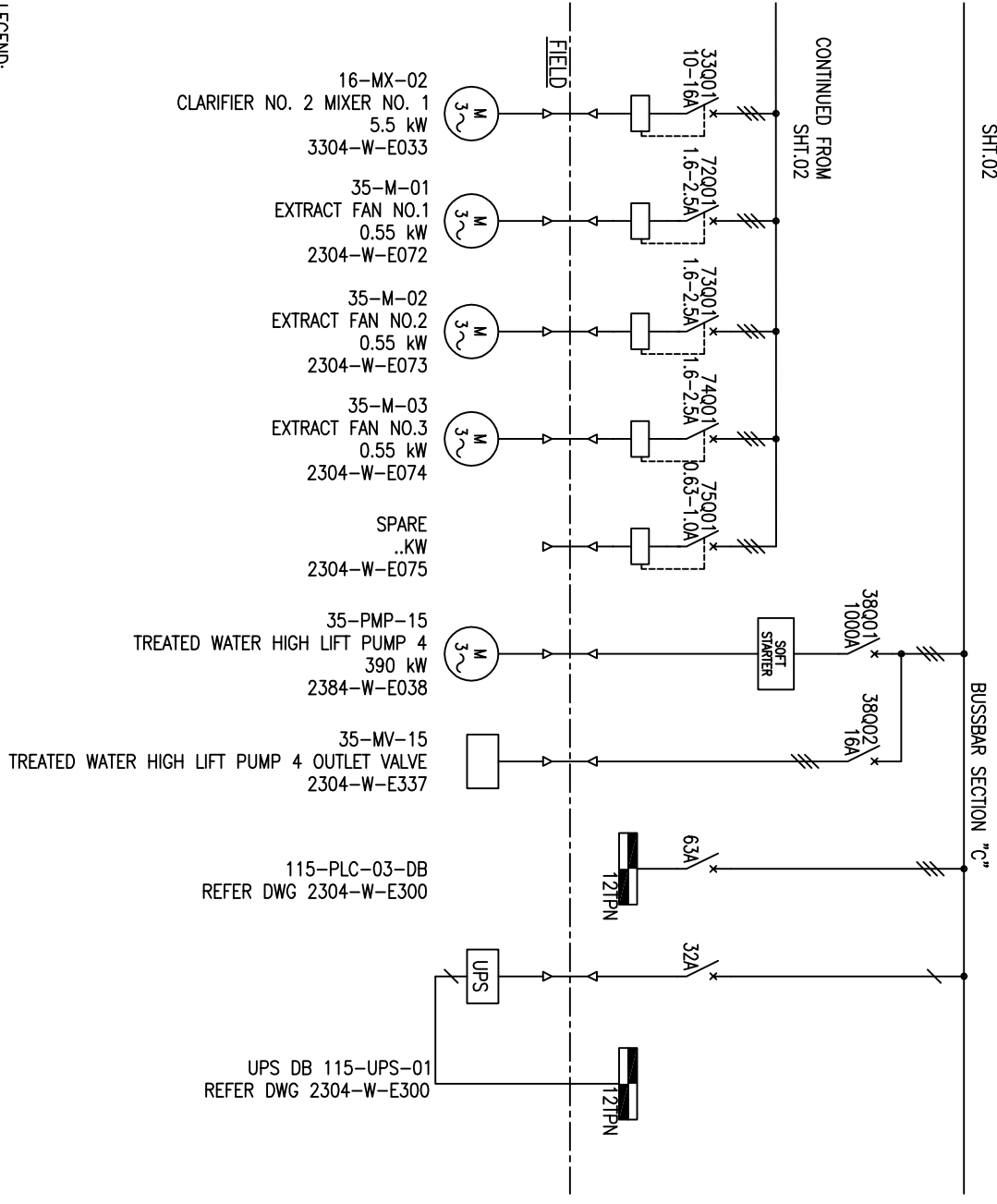
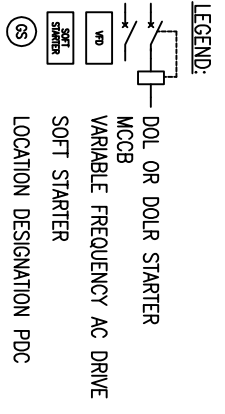


Scale:	(A1 original)
Contract No.	WSC 23/04
Drawing No.	2304-W-E001
Sheet	3 of 3
Rev.	3

**AS BUILT**  
 Current Electrical 2000 Ltd

3	AS BUILT	MM	01 APR 2011
2	UPS DB MOVED	MM	20 SEP 2010
1	FOR CONSTRUCTION	MM	29 MAY 2010
A	FOR APPROVAL	MM	06 APR 2010
Rev.	Reason	By	Chk. Appr. Date

- NOTES:**
1. ALL LOADS < 15KW TO BE FORM 2
  2. ALL LOADS > 15KW TO BE FORM 3
  3. ACCOMMODATION ALLOWANCE FOR 20% SPARE



CONTINUED FROM SHT.02

CONTINUED FROM SHT.02